

Blower air nozzle: 42 mm wide flat jet

TAIFUJet®
TF-BF42

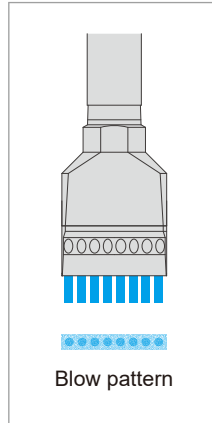
Blower air

Plastic

Metal



For blowers



- 42 mm wide air booster nozzle delivers a flat blow pattern.
- Powerful, high impact air stream lowers energy consumption by 2/3 compared to compressed air nozzles.
- Unique design provides uniform and efficient air flow distribution at low noise level.



Material
Plastic: ABS, Metal: Aluminum A5052



Max. temperature
Plastic: 80°C (170°F), Metal: 150°C (300°F)



Weight
Plastic: 26 g, Metal: 65 g



Noise level
85 dBA at 30 kPa



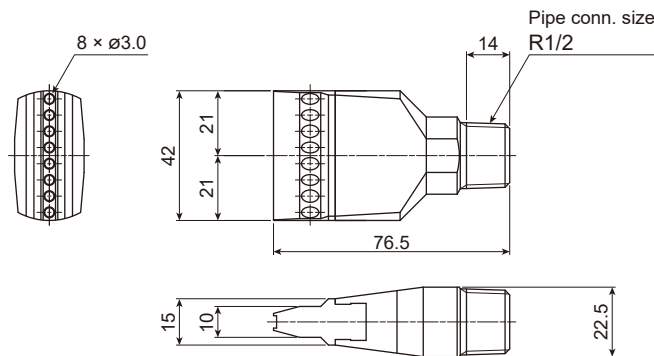
Max. operating pressure
100 kPa (14 psi)
[100 kPa = 0.1 MPa]



Air consumption
0.565 m³/min [565 L/min], Normal at 30 kPa

Drawing

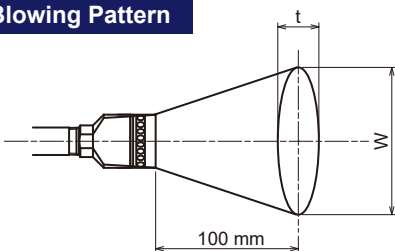
- 1/2M TF-BF 42-8-030 ABS
- 1/2M TF-BF 42-8-030 A5052



Unit: mm

Adhesive is used for assembly of some parts.

Blowing Pattern



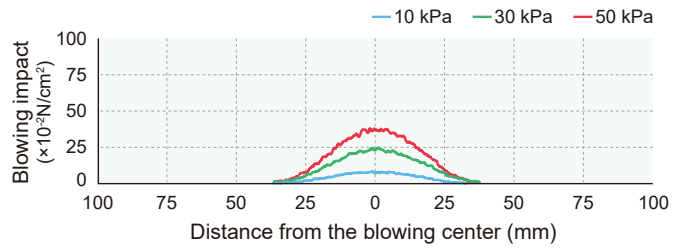
Air pressure (kPa)	Blowing width W (mm)	Thickness t (mm)
10	50	50
30	55	50
50	55	50

Noise Level at a distance of 1,000 mm

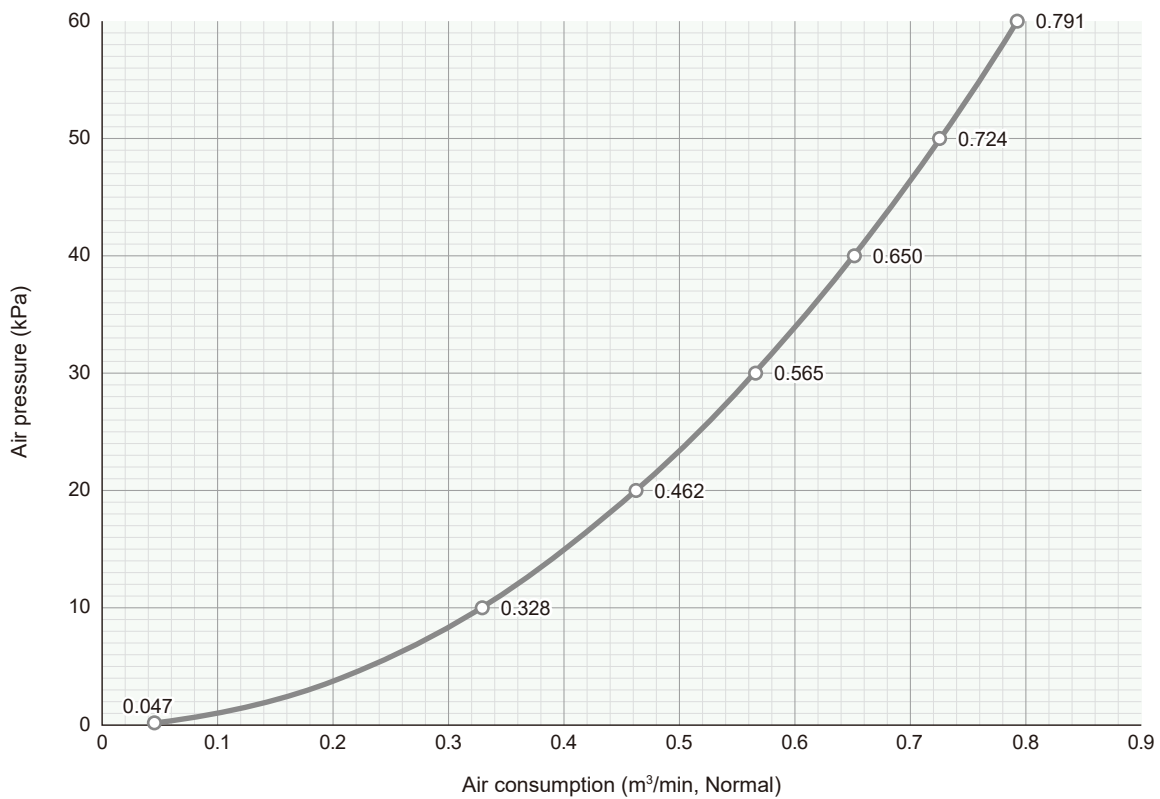
Background noise: 46 dBA

Pressure (kPa)	Noise level (dBA)
10	81
30	85
50	86

Blowing Impact Distribution at 100 mm below the nozzle orifice



Air Consumption



HOW TO ORDER

Please select the material when inquiring or placing an order using this product code.

<Example> 1/2M TF-BF 42-8-030 ABS

1/2M TF-BF 42-8-030 ABS

- Material
- ABS
 - A5052